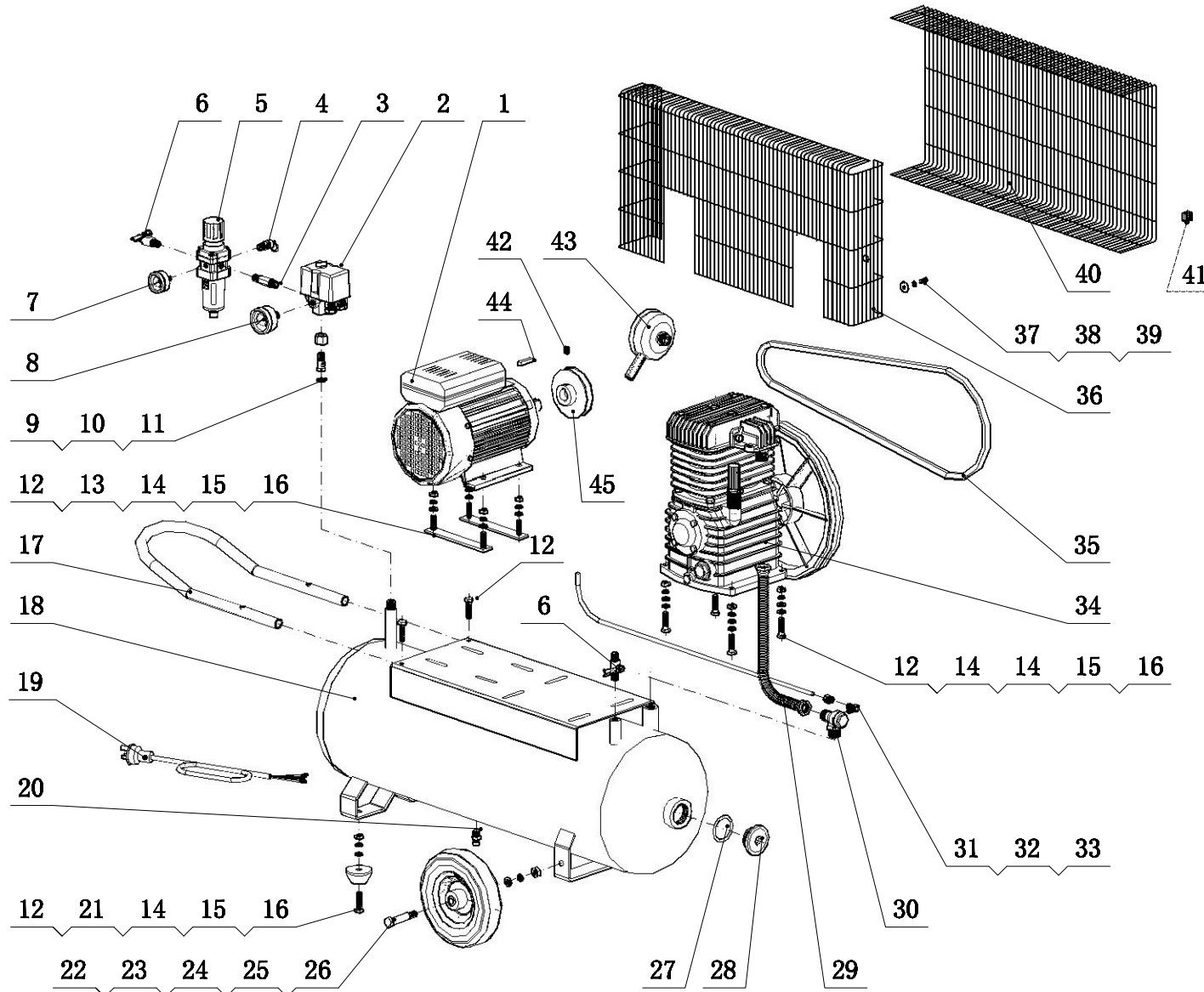


Model	WE12/WE18
Dimensions(cm) L x W x H	93 x 43 x 84



Number	Part Name	Qty
1	Motor	1
2	Pressure Switch	1
3	Nipple	1
4	Safety Valve	1
5	Filter Regulator	1
6	Ball Valve	2
7	Pressuer Gauge	1
8	Pressuer Gauge	1
9	Seal Gasket	1
10	Nipple	1
11	Nut	1
12	Bolt	12
13	Fixing Plate	2
14	Flat Washer	12
15	Spring Washer	12
16	Nut	10
17	Handle	1
18	Air Receiver	1
19	Power Plug With Cable	1
20	Drain Cock	1
21	Rubber Stopper	2
22	Bolt Axle	2
23	Wheels	2
24	Flat Washer	2
25	Spring Washer	2
26	Nut	2
27	O Ring	1
28	Plug	1
29	Discharge Pipe	1
30	Non Return Valve	1
31	Bleeder Tube	1
32	Nut	1
33	Elbow	1
34	Pump	1
35	Belt	1
36	Inner Belt Guard	1
37	Bolt	5
38	Flat Washer	5
39	Spring Washer	5
40	Outer Belt Guard	1
41	Nylon Self Locker	4
42	Grub Screw	1
43	Air Filter	1
44	Key	1
45	Motor Pulley	1