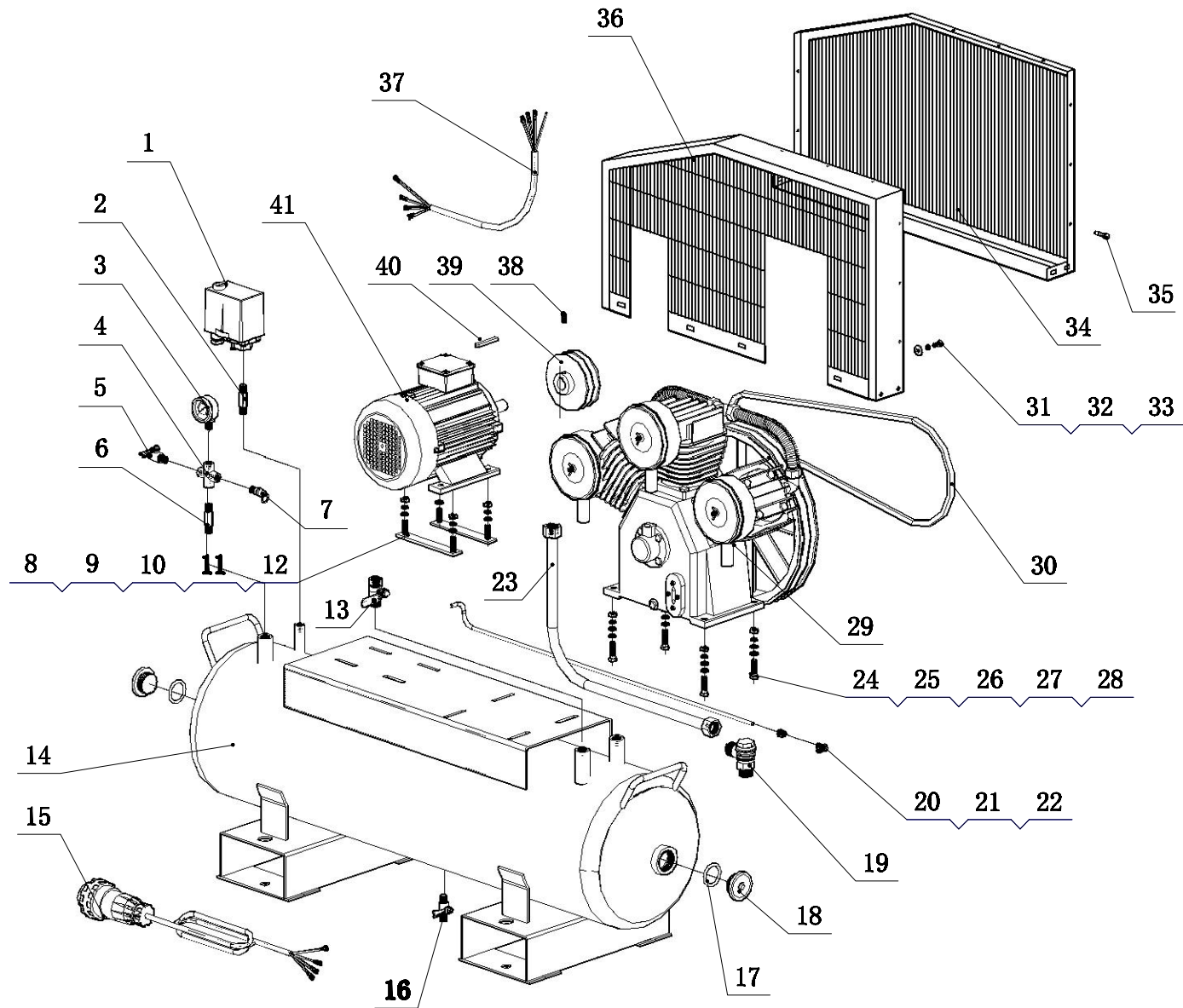


Model	WA <sup>35</sup> / <sub>100</sub>	WA <sup>35</sup> / <sub>200</sub>	WA <sup>45</sup> / <sub>300</sub>
Dimensions(cm) L x W x H	131x41x83	170x45x105	170x48x110



Number	Part Name	Qty
1	Pressure Switch	1
2	Nipple	1
3	Pressure Gauge	1
4	Cross Fittings	1
5	Ball Valve	1
6	Nipple	1
7	Safety Valve	1
8	Bolt	4
9	Fixing Plate	2
10	Flat Washer	4
11	Spring Washer	4
12	Nut	4
13	Safety Valve	1
14	Air Receiver	1
15	Power Plug With Cable	1
16	Ball Valve	1
17	O Ring	2
18	Plug	2
19	Non Return Valve	1
20	Bleeder Tube	1
21	Nut	1
22	Elbow	1
23	Discharge Pipe	1
24	Bolt	4
25	Big Flat Washer	4
26	Small Flat Washer	4
27	Spring Washer	4
28	Nut	4
29	Pump	1
30	Belt	2
31	Bolt	8
32	Flat Washer	8
33	Spring Washer	8
34	Outer Belt Guard	1
35	Bolt	11
36	Inner Belt Guard	1
37	Power Lead	1
38	Grub Screw	1
39	Motor Pulley	1
40	Key	1
41	Motor	1
42		
43		
44		
45		